

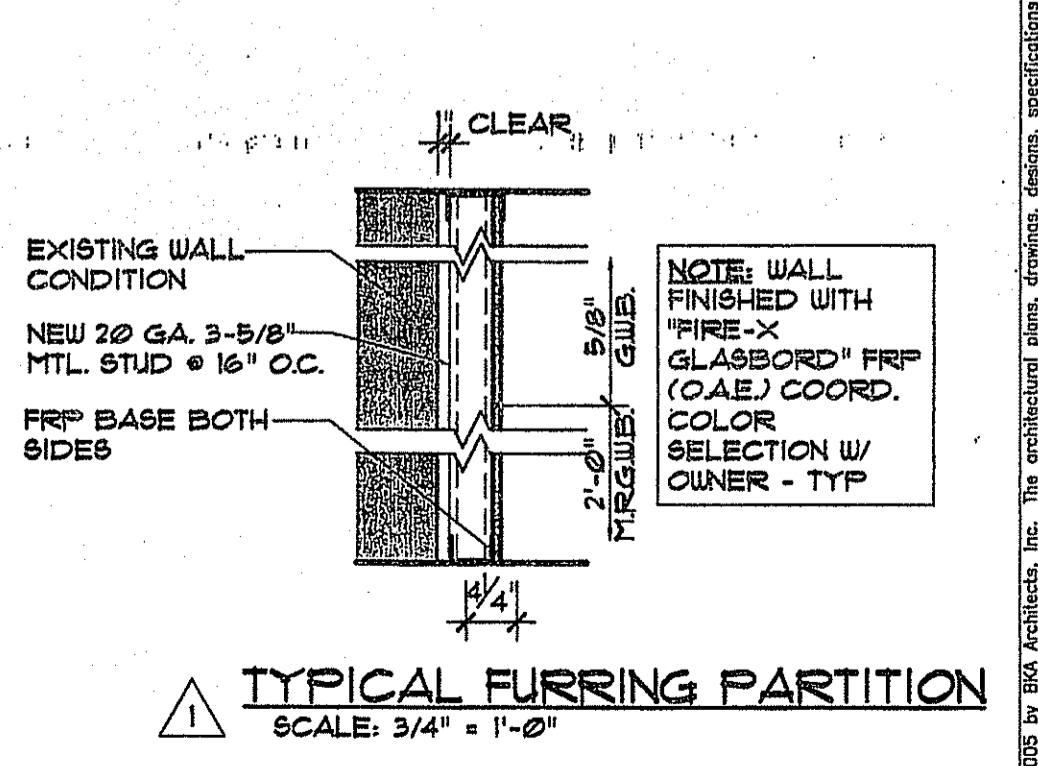
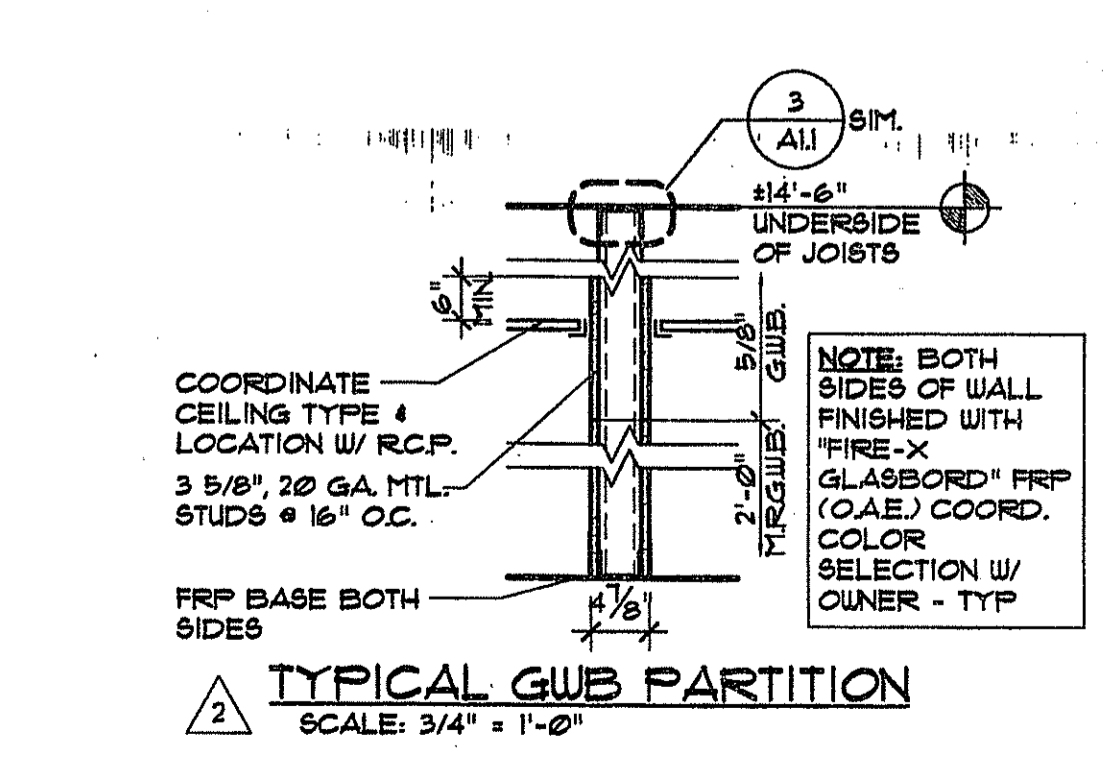
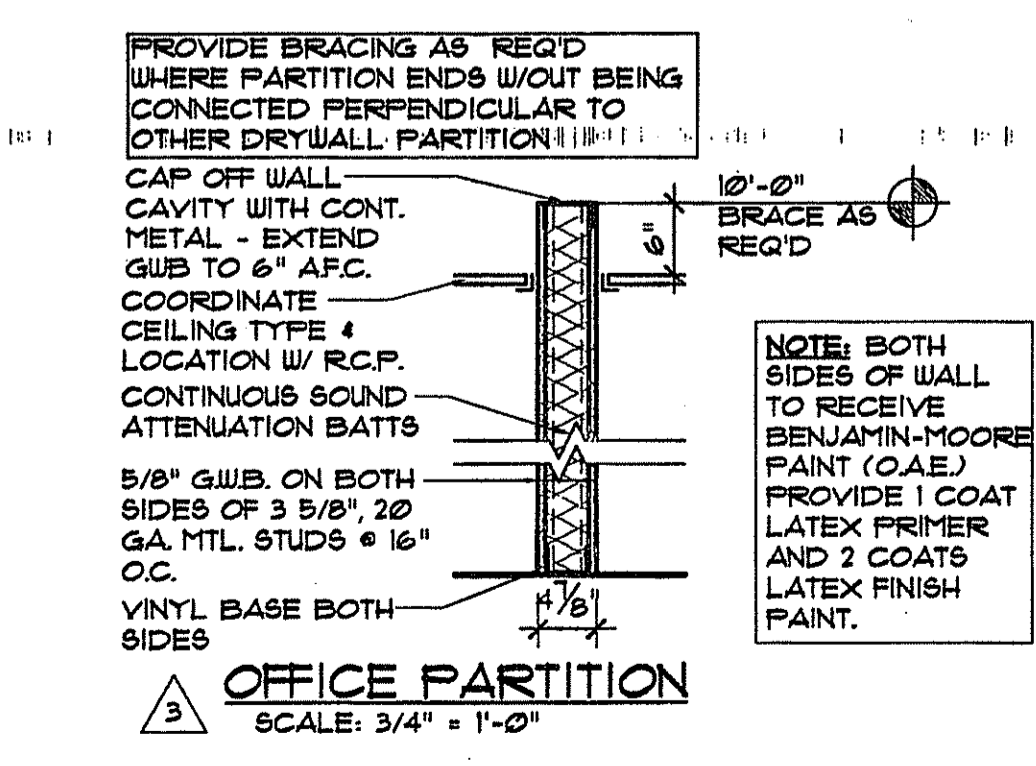
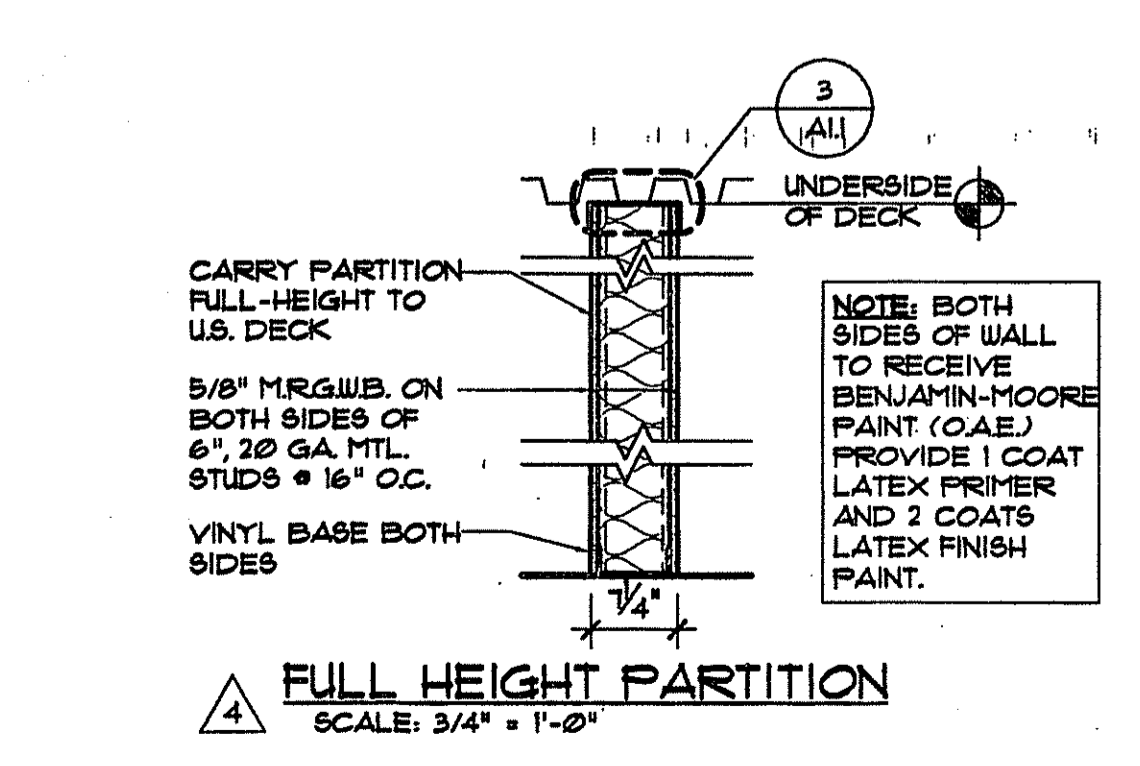
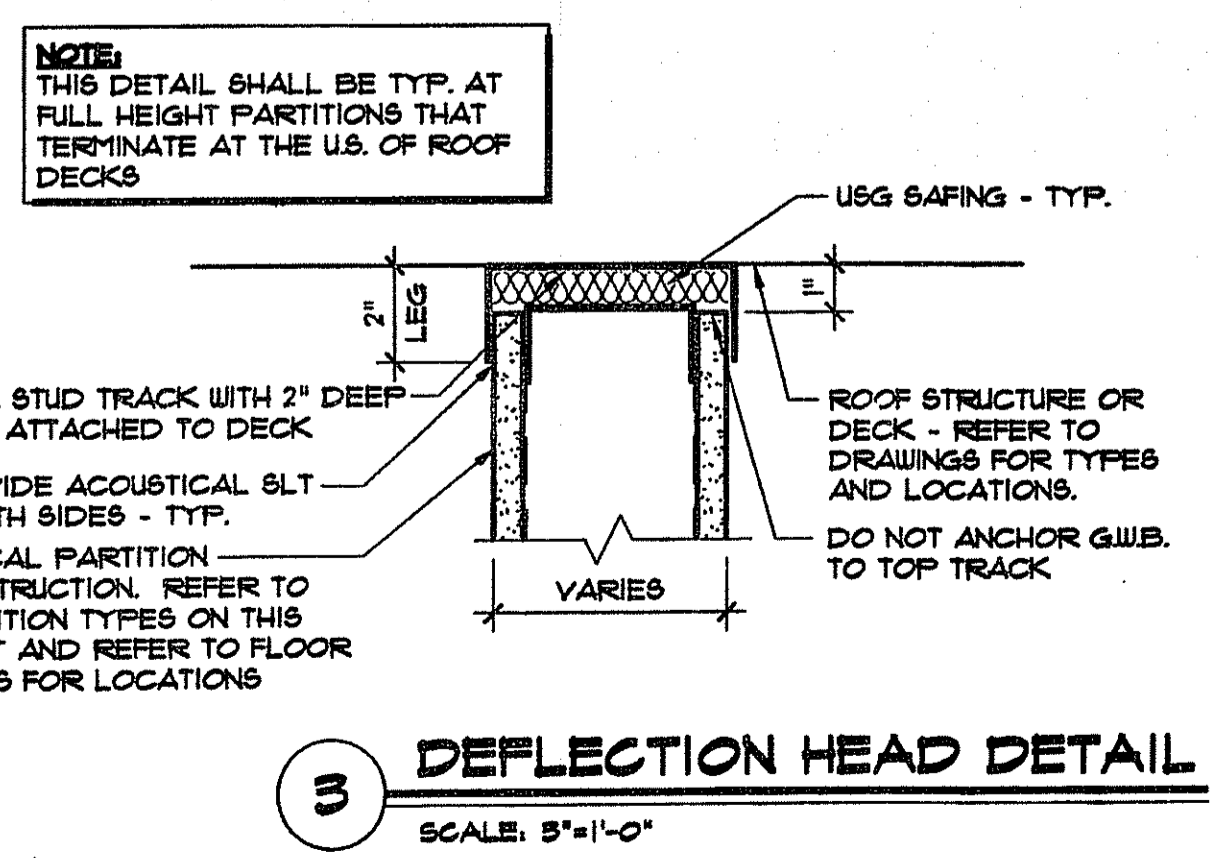
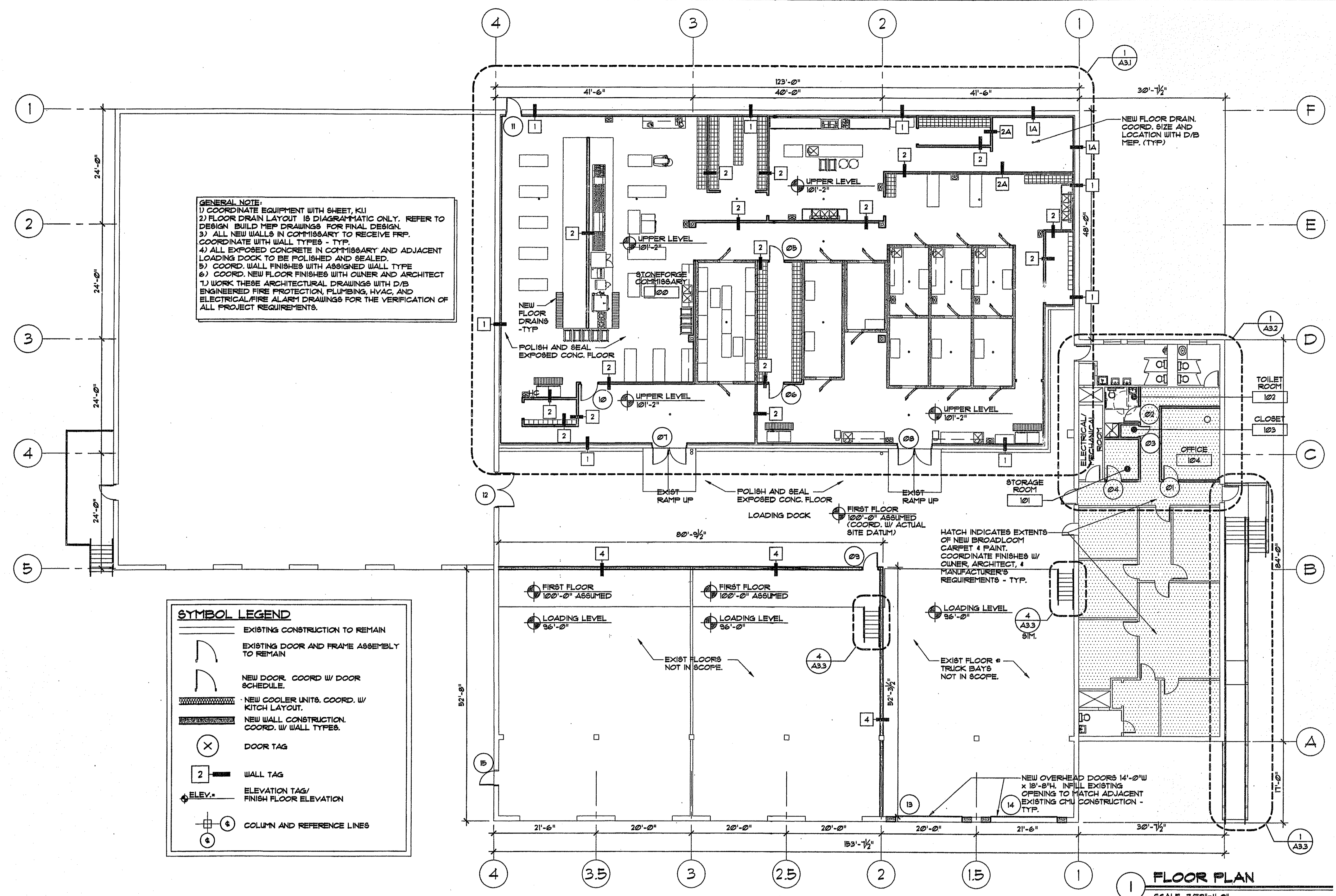
NO.	DATE	DESCRIPTION
1	4/25/06	ISSUED FOR PERMIT
2		
3		
4		
5		
6		
7		
8		
9		
10		



FLOOR PLAN & PARTITION TYPES
NOBLE VENTURES
STONEFORGE COMMISSARY
 295 WALNUT STREET
 WEST BRIDGEWATER, MASSACHUSETTS

Scale: 3/32" = 1'-0"
 Date: 4/13/06
 Drawn By: TAB
 Checked By: MAP
 Job Number: 206079

A1.1



2 PARTITION SCHEDULE
 * NOTE: UNO. ALL PARTITIONS SHALL CARRY TO THE U.S. OF THE ROOF OR

TYPE	DESCRIPTION
3	SAME AS TYPE 3 EXCEPT WITH MRGWB, FULL HEIGHT ON ONE SIDE
3A	SAME AS TYPE 3 EXCEPT WITHOUT INSULATION
2	SAME AS TYPE 2 EXCEPT WITH MRGWB, FULL HEIGHT ON ONE SIDE
2A	SAME AS TYPE 1 EXCEPT WITH MRGWB, FULL HEIGHT

A1.1 FLOOR PLAN.DWG